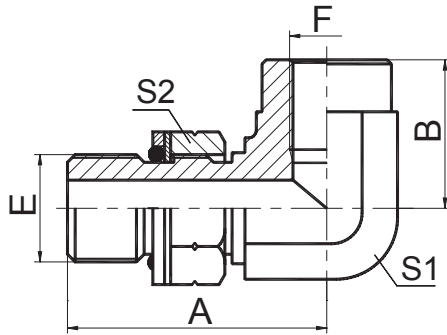


过渡接头 ADAPTER



5GB9-OG

90° 英管外螺纹 O 形圈 / 英管内螺纹
90° BSP MALE O-RING/BSP FEMALE

代号 PART NO.	螺纹 THREAD		O 形圈 O-RING		尺寸 DIMENSIONS				
	E	F	E 端		A	B	S1	S2	
5GB9-02OG	G1/8"X28	G1/8"X28	O011		30.8	20	16	14	
5GB9-04OG	G1/4"X19	G1/4"X19	O111		33.5	22	19	19	
5GB9-04-06OG	G1/4"X19	G3/8"X19	O111		36	26	22	19	
5GB9-06OG	G3/8"X19	G3/8"X19	O113		39.5	26	22	22	
5GB9-06-08OG	G3/8"X19	G1/2"X14	O113		42.5	31	27	22	
5GB9-08OG	G1/2"X14	G1/2"X14	O115		46.5	31	27	27	
5GB9-08-12OG	G1/2"X14	G3/4"X14	O115		50	37	33	27	
5GB9-10OG	G5/8"X14	G5/8"X14	O910		48	34	27	30	
5GB9-12OG	G3/4"X14	G3/4"X14	O119		53	37	33	32	
5GB9-12-08OG	G3/4"X14	G1/2"X14	O119		49.5	31	27	32	
5GB9-12-16OG	G3/4"X14	G1"X11	O119		59	43	41	32	
5GB9-16OG	G1"X11	G1"X11	O217		58	43	41	41	
5GB9-20OG	G1.1/4"X11	G1.1/4"X11	O222		63	46	48	50	