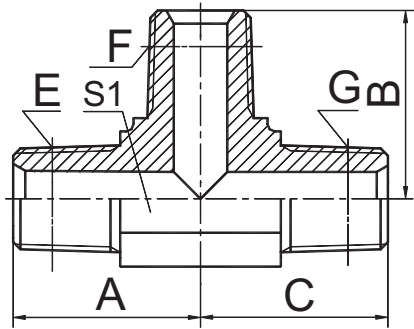


# 过渡接头 ADAPTER



**AN**

美制布锥管外螺纹  
NPT MALE

代号 PART NO.	螺纹 THREAD			尺寸 DIMENSIONS					
	E	F	G	A	B	C	S1		
AN-02	Z1/8"X27	Z1/8"X27	Z1/8"X27	21	21	21	11		
AN-04	Z1/4"X18	Z1/4"X18	Z1/4"X18	25.5	25.5	25.5	14		
AN-06	Z3/8"X18	Z3/8"X18	Z3/8"X18	31	31	31	19		
AN-08	Z1/2"X14	Z1/2"X14	Z1/2"X14	36.7	36.7	36.7	22		
AN-12	Z3/4"X14	Z3/4"X14	Z3/4"X14	44	44	44	27		
AN-16	Z1"X11.5	Z1"X11.5	Z1"X11.5	50	50	50	33		
AN-20	Z1.1/4"X11.5	Z1.1/4"X11.5	Z1.1/4"X11.5	54.5	54.5	54.5	41		
AN-24	Z1.1/2"X11.5	Z1.1/2"X11.5	Z1.1/2"X11.5	59.5	59.5	59.5	48		